



# **Continuous Mandatory Ventilation Controller**

Project 2019

# Deep Sleep Mode

**2019-03-22 21:54**

uC active : > 30 mA

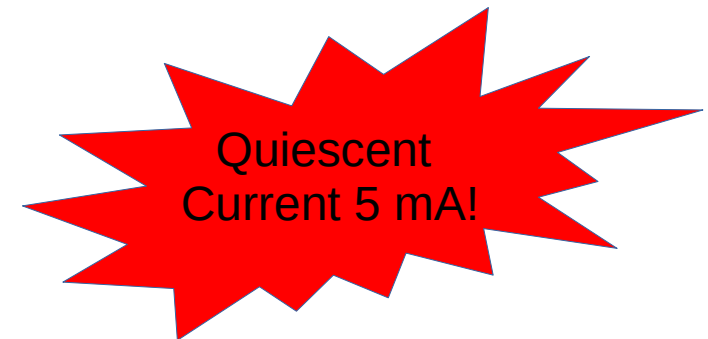
Deep sleep : 5.7 mA

Deep sleep w/o sensor : 5.7 mA

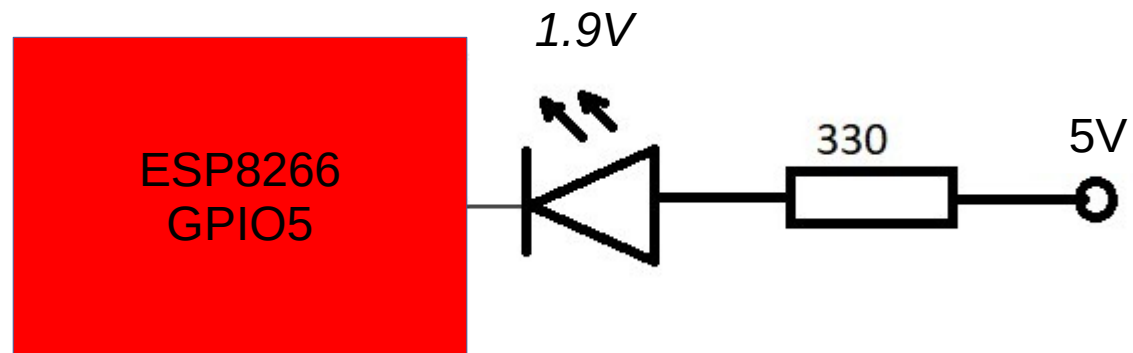
Deep sleep w/o sensor & RF : 4.5 mA

Deep sleep  
mode activated

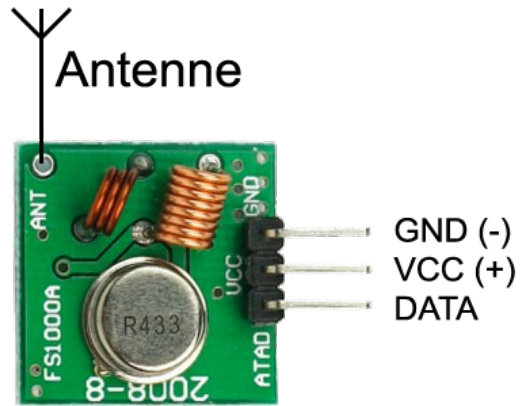
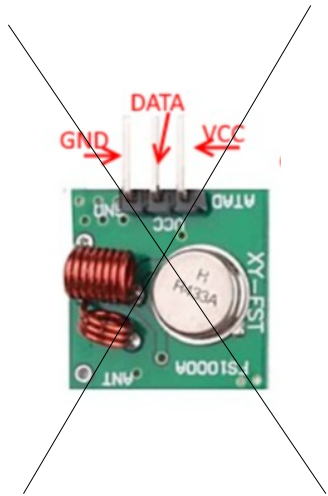
pin	description
1	NC
2	GPIO16
3	RST



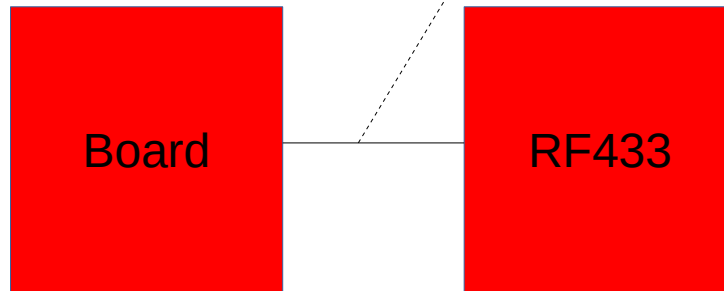
# User LED



# RF433 Connector

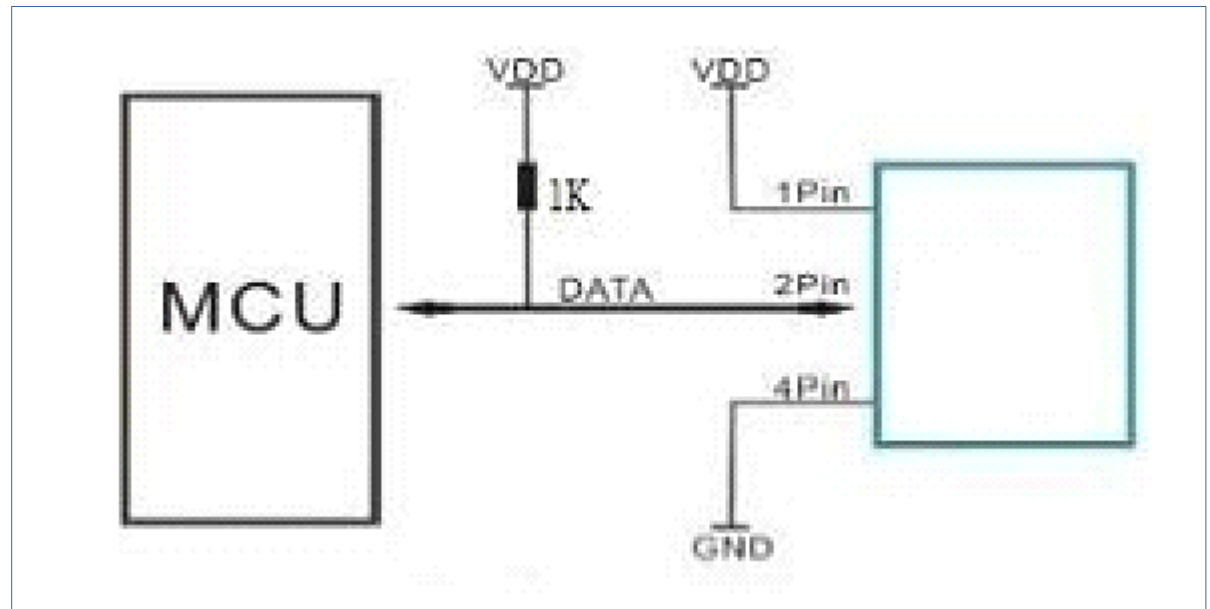
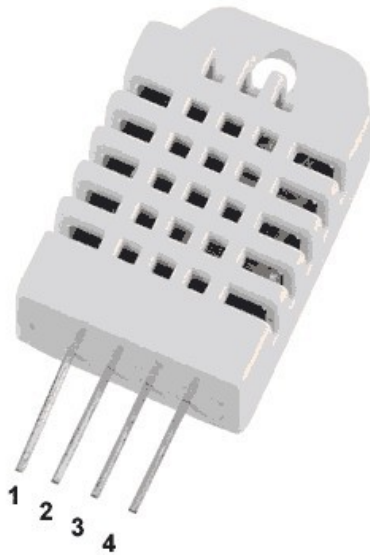


pin	description
1	5V
2	key
3	NC
4	GPIO14 (data)
5	GND

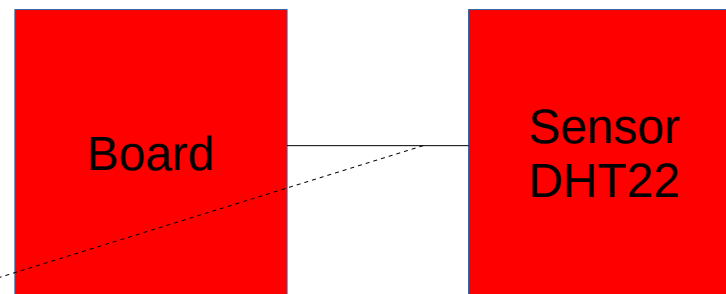


# DHT22 Connector

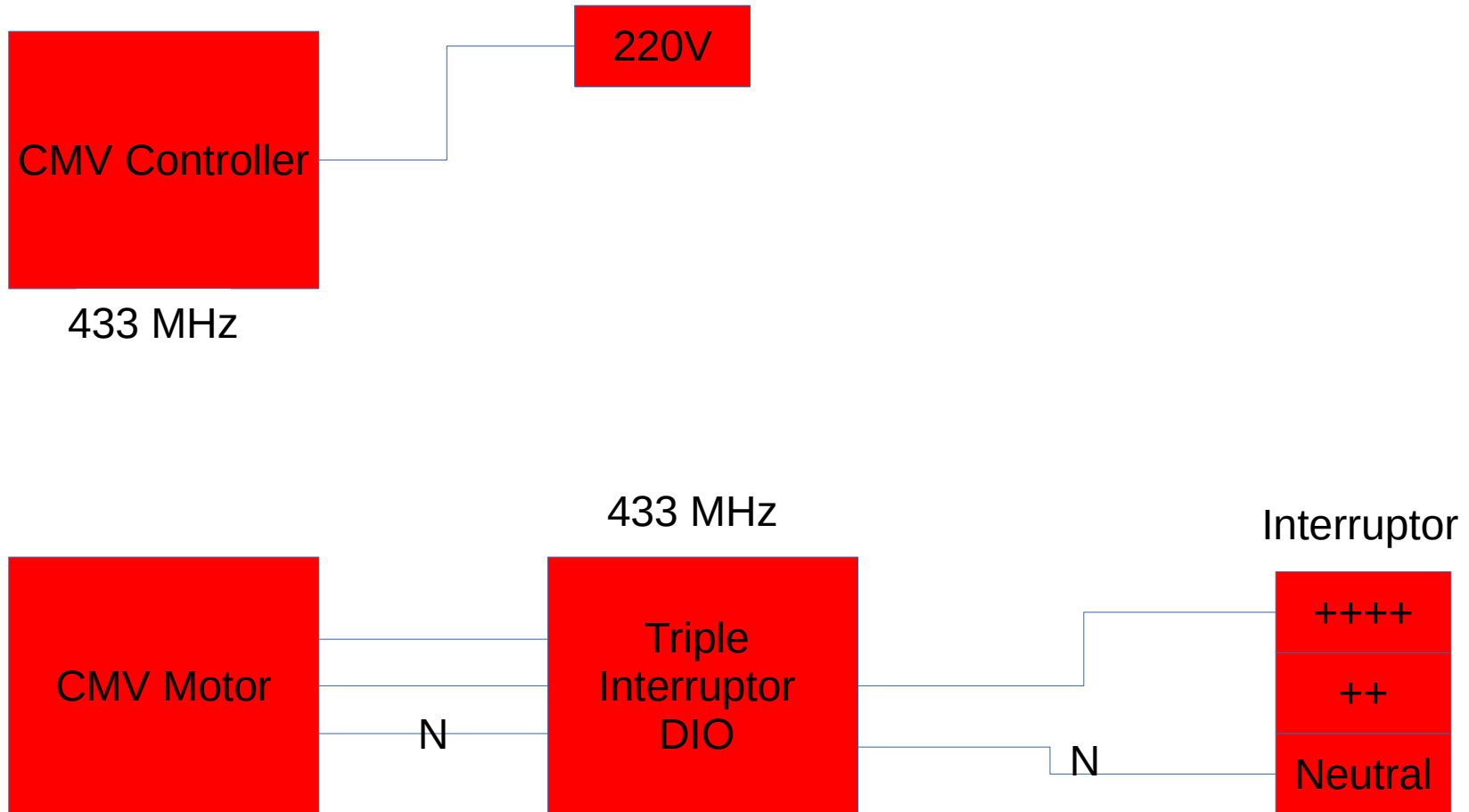
DHT22 pins	
1	VCC
2	DATA
3	NC
4	GND



pin	description
1	3.3V
2	GPIO12
3	key
4	key
5	GND



# Electrical Connection



# Annex. ESP8266 pinout

